

LARGE CUSTOM TRIANGLE PENDANT



Security Lighting has developed a complete line of decorative custom pendant lighting in multiple shapes, sizes and colors to provide maximum design flexibility for today's enhanced seating and décor packages. The shades are designed using long life, cleanable "fabric look" materials that are well suited for demanding restaurant environments. Shade designs are translucent for a glowing effect except when ordered with optional graphic or colored interiors. Please contact Security Lighting for other custom shapes, sizes or colors.

Now available in LED! See source information below.



Fixture Specifications/Ordering Information

SIZE - SHAPE	
LCT	Large Custom Triangle (includes lens)

SERIES	
P	Pendant

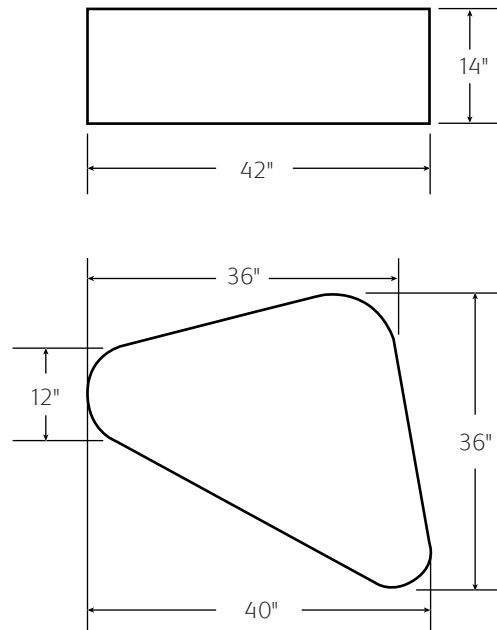
SHADE COLOR	
00	White Exterior, White Interior
YO	Yellow Exterior, White Interior
CG	Cool Gray Exterior, White Interior
WB	Warm Brown Exterior, White Interior
RD	Red Exterior, White Interior
GN	Green Exterior, White Interior
OR	Orange Exterior, White Interior
WG	Wood Grain Graphic Exterior, White Interior (Drum Shades only)

SOURCE	
613CFL	(6) 13-watt GU24 Base CFLs

FOR 8 WATT LED SPECIFY "08LED" IN PLACE OF "613CFL"

MOUNTING MECHANISM	
BS	Brushed Steel Rigid Stem/Canopy

DIMENSIONS



TWO STEMS PER FIXTURE. BOTH REQUIRE POWERED JBOX FURNISHED BY OTHERS

ORDERING INFORMATION

SAMPLE CATALOG NUMBER

LCTP - XX - 613CFL - BS

Shade Color



A HUBBELL LIGHTING, INC. COMPANY

Performance Designed Lighting Products

www.securitylighting.com

1085 Johnson Drive • Buffalo Grove, IL 60089 • TOLL-FREE: 800-544-4848 • PHONE: 847-279-0627 • FAX: 847-279-0642