

# 6" Recessed Adjustable Downlight SLS6C-A500

## Product Description

The SLS6C-A500 is an adjustable downlight module for new construction and retrofit that installs easily in most standard six inch recessed IC or non-IC housings. The SLS6C-A500 can be adjusted from 10 to 30 degrees, allowing the user to smoothly wash a wall. The SLS6C-A500 generates white light with LEDs in a new way that enables an unprecedented combination of light output, high efficacy, beautiful color, and affordability. U.S. Patent #7,213,940 issued. Numerous patents pending.

## Performance Summary

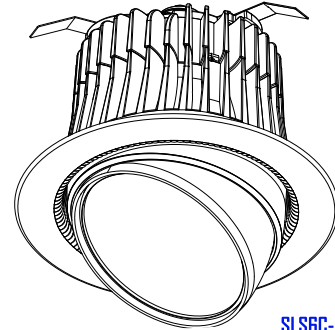
- Utilizes Cree TrueWhite™ technology
- 500 Delivered Lumens at 30 Degrees Tilt
- Nominal input power = 12 Watts
- CCT = 2700K or 3500K
- CRI = 90
- Dimmable to 20%
- Four Year Warranty

## Ordering Information

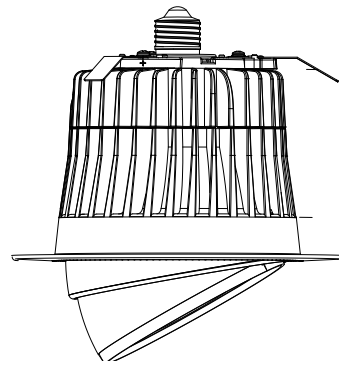
- **SLS6C-A500** - 120V, Neutral Color (3500K), GU24 Base

## Accessories

- **SLS6I2-GU24** 6" Recessed Housing



SLS6C-A500



# SLS6C-A500 6" Recessed Adjustable Downlight

## Product Information

### Cree TrueWhite™ Technology

- A better way to generate white light that utilizes a patented mixture of unsaturated yellow and saturated red LEDs.
- Tuned to optimal color point before shipment.
- Color management system maintains color consistency over time and temperature.
- Designed to last 50,000 hours and maintain at least 70% of initial lumen output.

### Construction

- Integrated thermal management system conducts heat away from LEDs and transfers it to the surrounding environment. LED junction temperatures stay below specified maximums when installed in attic insulation with temperatures exceeding 60 degrees Celsius.

### Optical System

- Proprietary optical system utilizes a unique combination of reflective and refractive optical components to achieve a uniform, comfortable appearance. Pixelation and direct view of uncomfortable LED's is eliminated. Designed to wash a wall with light.

### Electrical System

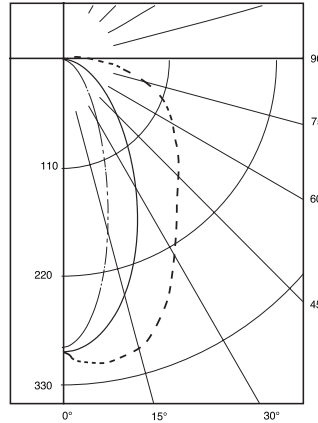
- Integral, high efficiency driver and power supply. Power factor >0.9 Input voltage = 120V, 60Hz
- Dimmable to 20% with most incandescent dimmers

### Regulatory

- Tested and certified to UL standards. Suitable for damp locations
- Suitable for insulated or non-insulated ceilings

## Photometry

LE6 ITL Test #61449  
Tilted to 30°



## Intensity (Candlepower) Summary

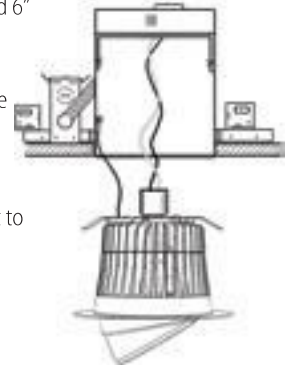
ANGLE	0°	45°	90°
0°	299	299	299
5°	312	307	293
15°	304	291	250
25°	256	243	181
35°	206	191	120
45°	170	155	82
55°	145	126	54
65°	117	92	30
75°	81	58	14
85°	50	33	3
90°	40	24	0
95°	30	16	0
105°	13	4	0

## Zonal Lumen Summary

ZONE	LUMENS	%FIX
0°-30°	182	36.3
0°-40°	262	52.3
0°-60°	393	78.8
0°-90°	487	97.6
0°-180°	500	100

## Installation

- Designed to easily install in standard 6" downlight housings.
- Quick install system utilizes a unique retention feature. Attach socket to module. Adjust module to ready position and slide into housing. Rotate module 1/4 turn to the right to lock in place.
- Ceiling cutout = 6-3/8"



## Application Information

Spacing	Luminaires 3' from wall on 3' centers	
	Footcandle Values	
Height	Between Centers	On Centers
10	13	13
9	18	18
8	18	18
7	15	15
6	13	13
5	11	11
4	9	9
3	8	8
2	7	7
1	6	6

Spacing	Luminaires 3' from wall on 4' centers	
	Footcandle Values	
Height	Between Centers	On Centers
10	8	10
9	12	14
8	13	13
7	11	11
6	9	9
5	8	8
4	7	7
3	6	6
2	5	5
1	5	5

Notes: Average initial illuminance in footcandles, reflectances = 80/50/30, ceiling height = 10', based on minimum of 5 luminaires, placed in a hallway with width = 6', aimed at center points 3' and 4' apart respectively

