



Cat.#		Approvals
Job	Type	



CONSTRUCTION

- Stylish vertically finned die cast solid top housing for maximum heat dissipation. Stops collection of unsightly debris from gathering on top of the housing
- Rugged lower die cast aluminum heat sink accelerates thermal management and optimizes PCB and optical performance
- Separate optical and electrical compartment for optimum component operation
- One piece die cut silicone gasket ensures weather proof seal around each individual LED for IP65 rating
- Stamped bezel provides mechanical compression to seal the optical assembly
- Complements the Hubbell SouthWest Series of outdoor products
- Weight - 45.0 pounds
- EPA - 1.3 ft²

OPTICS

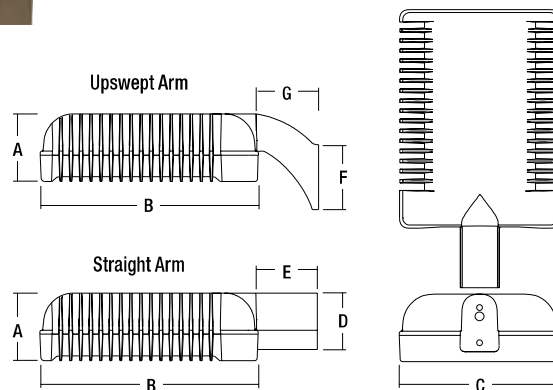
- Choice of 24 high brightness LED configurations with individual acrylic lenses specially designed for IES Type II, III, IV and V distributions
- CCT: 5000K standard, 4000K option
- CRI: 70

ELECTRICAL

- Universal input voltage 120-277 VAC, 50/60 Hz
- Integral step-down transformer for 347V and 480V
- Ambient operating temperature -30° C to 40° C
- Drivers have greater than 90% power factor and less than 10% THD
- Optional continuous dimming to 10% or dual circuitry available
- LED drivers have output power over-voltage, over-current protection and short circuit protection with auto recovery
- LED electrical assembly, including PR devices, consumes no power in the 'off' state
- Surge protection of 10KA 8/20 μSec wave; clamping voltage of 320V and surge rating of 273J
- Automatic thermal self-protection
- Long life - 60,000 hours

MOUNTING

- Two die-cast aluminum arm designs are available providing maximum design flexibility
- The decorative arm offers a sleek upswept look while the straight arm follows the housing's contoured lines for continuity of style
- Fixture ships with arm installed for ease of installation and mounts to #2 drill pattern
- Wall bracket and pole accessories are also available allowing easy mounting for virtually any application



A	B	C	D	E	F	G	EPA	Weight
6 3/4" 171mm	21 3/4" 552mm	16" 406mm	6 5/8" 168mm	6 5/16" 160mm	5 5/8" 143mm	6 1/8" 155mm	1.3 ft ² .4m ²	45 lbs. 20.4 kg

FINISH

- TGIC thermoset polyester powder paint finish applied at nominal 2.5 mil thickness

WARRANTY

- 5 year limited warranty

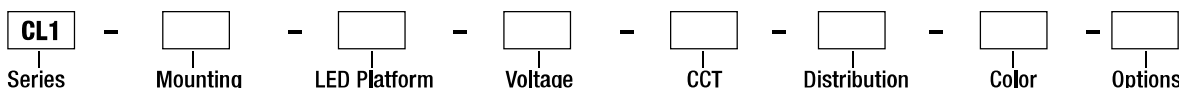
LISTINGS

- Listed to UL1598 and CSA C22.2#250.0-24 for wet locations
- IP65
- ROHS compliant



ORDERING INFORMATION

ORDERING EXAMPLE: **CL1-A-90L-U-5K-3-DB-RPA3**



SERIES
CL1 Cimarron LED

MOUNTING
A Arm Mount Construction (6" straight rigid arm included & acceptable for 90° configurations)
AD Decorative Arm Mount Const. (6" decorative upswept arm incl. & acceptable for 90° configurations)

LED PLATFORM
90L 90 High Brightness LEDs
60L 60 High Brightness LEDs
30L 30 High Brightness LEDs

VOLTAGE
U³ Universal 120V-277V, 50/60 Hz
1 120V, 60 Hz
2 208V, 60 Hz
3 240V, 60 Hz
4 277V, 60 Hz

VOLTAGE Cont.
5 480V, 60 Hz
F 347V, 60 Hz
E 220V, 50 Hz

CCT
4K 4000K
5K 5000K

DISTRIBUTION
2 Type II
3 Type III
4 Type IV
5 Type V

COLOR
DB Dark Bronze
BL Black
WH White
COLOR cont.

COLOR Cont.
GR Gray
PS Platinum Silver
RD Red
FG Forest Green
CC Custom Color

OPTIONS
BL^{1,2} Bi-level Dimming
CD^{1,2} Continuous Dimming
WB Wall Bracket
RPA3 3" Round Pole Adapter
RPA4 4" Round Pole Adapter
RPA5 5" Round Pole Adapter
RPA6 6" Round Pole Adapter
F(X)⁴ Fusing (replace X with Voltage 1-120V, 2-208V, 3-240V, 4-277V, 5-480V, 6-347V)
PRU NEMA Photocell Receptacle - 120-277V
PRS NEMA Photocell Receptacle - 480V
PR6 NEMA Photocell Receptacle - 347V

Notes: ¹For 90L and 60L universal voltage only • ²BL & CD cannot be combined • ³Fuse option not available with universal voltage • ⁴Select F3 fusing option for 220V

ENERGY SAVING DATA

ENERGY DATA	
Power Factor	>.9
Total Harmonic Distortion	<10%

LIGHT ENGINE	INPUT WATTS		LUMENS DELIVERED			
	120V-277V	347V-480V	TYPE II	TYPE III	TYPE IV	TYPE V
30L-5K	70	87	5,000	5,140	4,933	5,408
60L-5K	140	157	9,871	10,137	9,718	10,665
90L-5K	210	227	14,343	14,756	14,172	15,525
30L-4K	70	87	4,503	4,629	4,443	4,870
60L-4K	140	157	8,890	9,129	8,752	9,605
90L-4K	210	227	12,917	13,289	12,763	13,982

Lumen values based on 5000K CCT, 700 mA 25 Deg C ambient temperature.

ACCESSORIES

CIMARRON ACCESSORIES

CATALOG #	DESCRIPTION
CR-RPA3-XX¹	Round Pole Adapter for Straight Arm (3¼ - 3¾")
CR-RPA4-XX¹	Round Pole Adapter for Straight Arm (3¾ - 4½")
CR-RPA5-XX¹	Round Pole Adapter for Straight Arm (5")
CR-RPA6-XX¹	Round Pole Adapter for Straight Arm (6")
CRD-RPA2-XX¹	Round Pole Adapter for Upswept Arm (2¾ - 3½")
CRD-RPA3-XX¹	Round Pole Adapter for Upswept Arm (3¼ - 3¾")
CRD-RPA4-XX¹	Round Pole Adapter for Upswept Arm (3¾ - 4½")
CRD-RPA5-XX¹	Round Pole Adapter for Upswept Arm (5")
CRD-RPA6-XX¹	Round Pole Adapter for Upswept Arm (6")
WB-CR-XX¹	Wall Bracket
TPLB-XX¹	Twin Parallel Luminaire Bracket

¹ Replace **XX** with color choice, eg.: **DB** for Dark Bronze

² When ordering poles, specify Pole Drill Pattern #2

TENON TOP POLE BRACKET ACCESSORIES (2½" OD tenon)

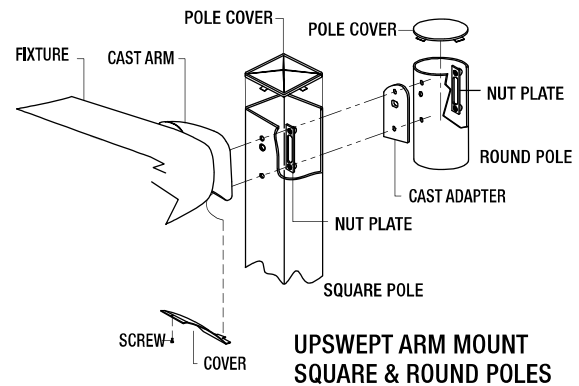
(RSS version requires 4" round pole adapter)

CATALOG #	DESCRIPTION
SETA-XX¹	Square Pole Tenon Adapter (4 at 90 degrees)
RETA-XX¹	Round Pole Tenon Adapter (4 at 90 degrees)
TETA-XX¹	Hexagonal Pole Tenon Adapter (3 at 120 degrees)

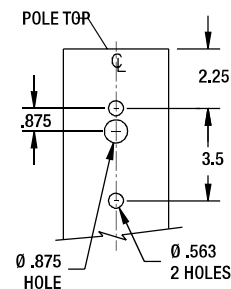
¹ Replace **XX** with color choice, eg.: **DB** for Dark Bronze

PHOTOCONTROL EQUIPMENT

CATALOG #	DESCRIPTION
PTL-1	Photocontrol - Twist-Lock Cell (120V)
PTL-8	Photocontrol - Twist-Lock Cell (120-277V)
PTL-5	Photocontrol - Twist-Lock Cell (480V)
PTL-6	Photocontrol - Twist-Lock Cell (347V)
PSC	Shorting Cap - Twist-Lock



UPSWEPT ARM MOUNT
SQUARE & ROUND POLES



#2 DRILL PATTERN FOR POLES

Due to our continued efforts to improve our products, product specifications are subject to change without notice.

